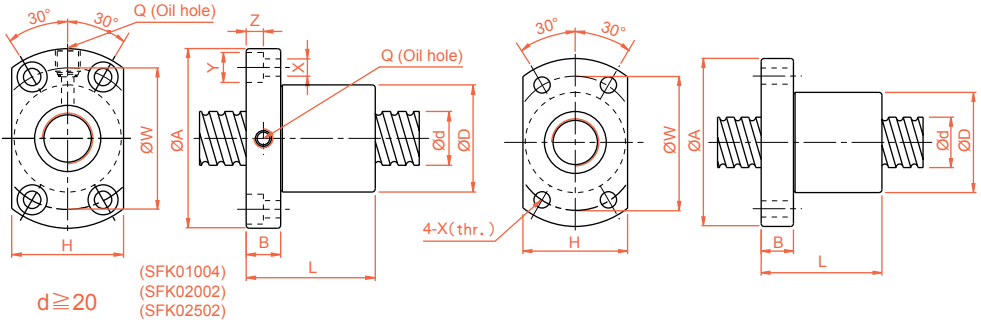


SFK Series Specifications



Unit : mm

Model No.	d	l	Da	Dimension										Ca (kgf)	C0a (kgf)	K kgf/ μ m	
				D	A	B	L	W	H	X	Y	Z	Q				n
SFK00601	6	1	0.8	12	24	3.5	15	18	16	3.4	-	-	-	1x3	111	224	9
SFK00801	8	1	0.8	14	27	4	16	21	18	3.4	-	-	-	1x4	161	403	14
SFK00802		2	1.2	14	27	4	18	21	18	3.4	-	-	-	1x3	222	458	13
SFK0082.5		2.5	1.2	16	29	4	26	23	20	3.4	-	-	-	1x3	221	457	13
SFK01002		2	1.2	18	35	5	28	27	22	4.5	-	-	-	1x3	243	569	15
SFK01004	10	4	2	20	37	6	34	29	28	4.5	-	-	-	1x3	468	905	17
SFK01202		2	1.2	20	37	5	28	29	24	4.5	-	-	-	1x4	334	906	22
SFK01205		5	2.5	22	37	8	39	29	24	4.5	-	-	-	1x3	702	1409	17
SFK01402		2	1.2	21	40	6	23	31	26	5.5	-	-	-	1x4	354	1053	24
SFK01404	14	4	2.5	25	42	10	45	35	29	4.5	-	-	-	1x4	957	2155	16
XSK01004		10	4	2	26	46	10	34	36	28	4.5	8	4.5	M6x1	1x3	468	905
XSK01404	14	4	2.5	26	46	10	45	36	28	4.5	8	4.5	M6x1	1x4	957	2145	16

※ Type K standard ball Nut is available for with or without wiper, please contact TBI sales representatives.

Unit : mm

Model No.	d	l	Da	Dimension										Ca (kgf)	C0a (kgf)	K kgf/ μ m	
				D	A	B	L	W	H	X	Y	Z	Q				n
XSUR01204T3D-02	12	4	2.5	24	40	6	28	32	25	3.5	-	-	-	1x3	454	722	-

※ Standard ball nut XSUR01204T3D-02 is assembled without wiper.